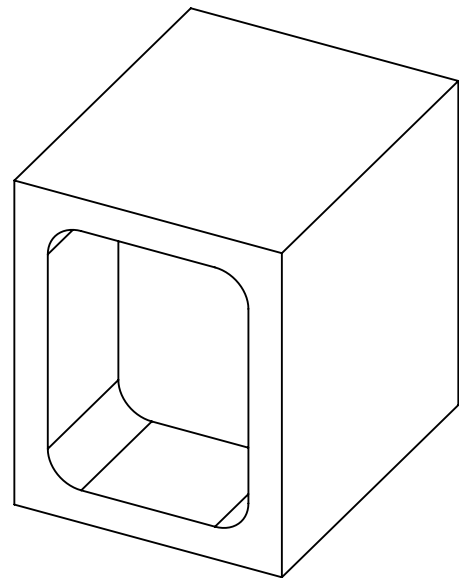
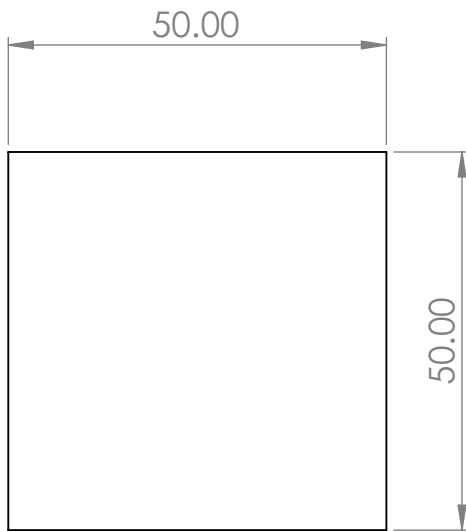
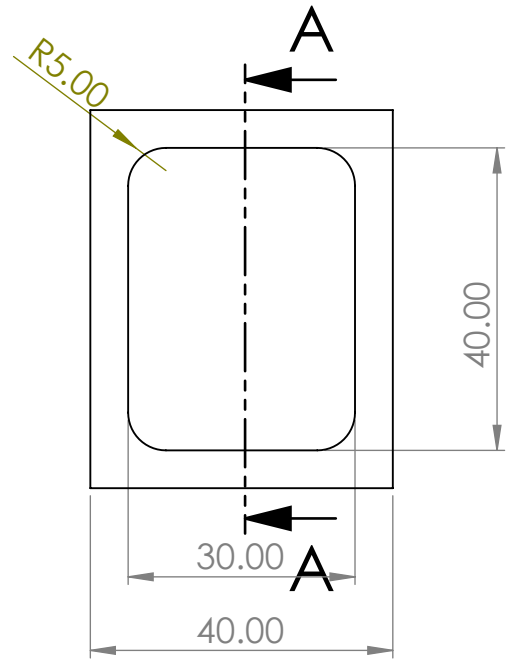


SECTION A-A



2E. All units in mm.